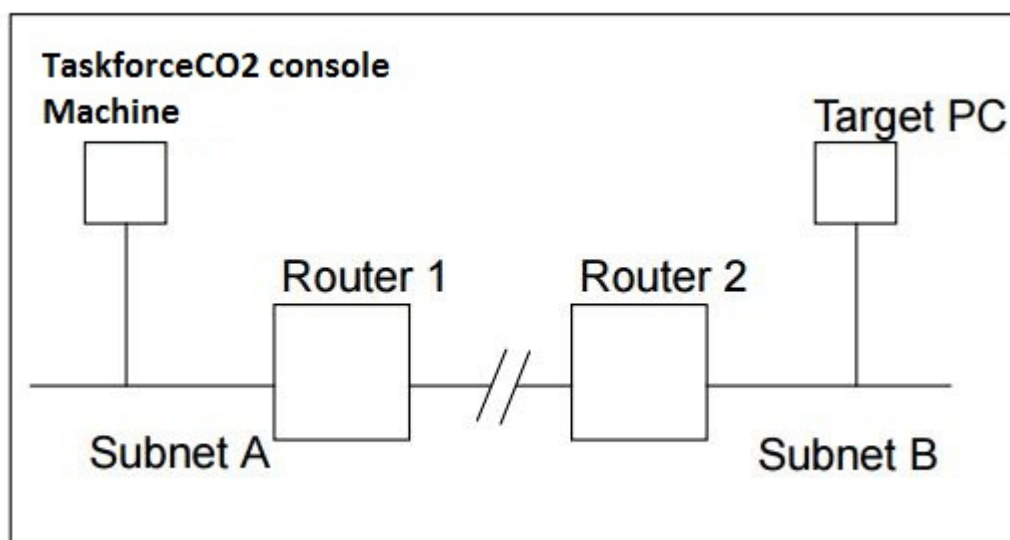


Wake On Lan across Subnets



1. Click on **Configure** menu from TaskforceCO2 and select **WOL across subnets** option.
2. Select the appropriate network addressing architecture (ie classful or Classless(CIDR)).
3. Put the IP address of the last PC(or the ip of the PC whom we are trying to wake) .
4. In case of Classful architecture, put the Subnet address of the target subnet in Subnet field. In case of CIDR put appropriate CIDR address of the system whom we are trying to wake.
5. Calculate the broadcast address and use this broadcast address to reconfigure all the intervening routers or switches to enable subnet-directed broadcasts.

Common Problems :

1. If we are not able to wake any PC from a particular subnet then probably the subnet directed broadcast packets are not routed behind the Host computer(computer on which TFCO2 is installed) router and can be fixed by configuring the router/switch appropriately.
2. If we are not able to wake only few PCs in a particular subnet then there is no issue with router configuration.(Since WoL is a technology which involves both hardware and software Refer document **WOL_Common_issues.pdf** to troubleshoot the common issues)

3. In case of DHCP(Dynamic Host control Protocol),If the user hasn't run the client for some time, we could have the wrong IP address as DHCP may have allocated a different IP address so we need to reevaluate the IP address in the TFCO2 console.